



Circuit breaker size S2 for motor protection, Class 10 A-release 18...25 A Short-circuit release 325 A Screw terminal Standard switching capacity !!! Phased-out product !!! Successor is SIRIUS 3RV2 Preferred successor type is >>3RV2031-4DA10<<

| | |
|--|----------------------|
| product brand name | SIRIUS |
| product designation | circuit breaker |
| design of the product | for motor protection |
| General technical data | |
| product extension auxiliary switch | Yes |
| power loss [W] for rated value of the current | |
| • at AC in hot operating state | 14.5 W |
| • at AC in hot operating state per pole | 4.8 W |
| surge voltage resistance rated value | 6 000 V |
| protection class IP on the front | IP20 |
| shock resistance | 25g / 11 ms |
| mechanical service life (operating cycles) of the main contacts typical | 50 000 |
| continuous current rated value | 25 A |
| Substance Prohibittance (Date) | 07/01/2006 |
| Ambient conditions | |
| installation altitude at height above sea level maximum | 2 000 m |
| ambient temperature | |
| • during operation | -20 ... +60 °C |
| • during storage | -50 ... +80 °C |
| • during transport | -50 ... +80 °C |
| Main circuit | |
| number of poles for main current circuit | 3 |
| adjustable current response value current of the current-dependent overload release | 18 ... 25 A |
| operating voltage | |
| • rated value | 690 V |
| • at AC-3 rated value maximum | 690 V |
| operational current at AC-3 at 400 V rated value | 25 A |
| operating power at AC-3 | |
| • at 400 V rated value | 11 kW |
| operating frequency at AC-3 maximum | 15 1/h |
| Auxiliary circuit | |
| number of CO contacts for auxiliary contacts | 0 |
| Protective and monitoring functions | |
| product function | |
| • ground fault detection | No |
| • phase failure detection | Yes |
| trip class | CLASS 10 |
| maximum short-circuit current breaking capacity (I_{cu}) | |
| • at AC at 240 V rated value | 100 kA |

- at AC at 400 V rated value 50 kA
- at AC at 500 V rated value 12 kA
- at AC at 690 V rated value 5 kA

Short-circuit protection

design of the overcurrent release and short-circuit release thermomagnetic

Installation/ mounting/ dimensions

| | |
|---|--|
| mounting position | any |
| fastening method | screw and snap-on mounting onto 35 mm DIN rail according to DIN EN 50022 |
| height | 140 mm |
| width | 55 mm |
| depth | 149 mm |
| required spacing with side-by-side mounting | |
| • backwards | 0 mm |
| • at the side | 0 mm |

Connections/ Terminals

| | |
|---|--|
| product component removable terminal for auxiliary and control circuit | No |
| type of electrical connection | |
| • for main current circuit | screw-type terminals with box terminals |
| • for auxiliary and control circuit | screw-type terminals |
| arrangement of electrical connectors for main current circuit | front side |
| type of connectable conductor cross-sections for main contacts | |
| • solid | 2x (0.75 ... 16 mm ²) |
| • stranded | 2x (0.75 ... 25 mm ²), 1x (0.75 ... 35 mm ²) |
| • finely stranded with core end processing | 2x (0.75 ... 16 mm ²), 0.75 ... 25 mm ² |

Safety related data

touch protection against electrical shock finger-safe

Certificates/ approvals

General Product Approval

For use in hazardous locations



[Confirmation](#)



Declaration of Conformity

Test Certificates

Marine / Shipping



[Type Test Certificates/Test Report](#)

[Special Test Certificate](#)



Marine / Shipping

other

Railway



[Miscellaneous](#)

[Confirmation](#)



[Special Test Certificate](#)

Further information

Siemens has decided to exit the Russian market (see here).
<https://press.siemens.com/global/en/pressrelease/siemens-wind-down-russian-business>

Siemens is working on the renewal of the current EAC certificates.

Please contact your local Siemens office on the status of validity of the EAC certification if you intend to import or offer to supply these products to an EAC relevant market (other than the sanctioned EAEU member states Russia or Belarus).

Information on the packaging

<https://support.industry.siemens.com/cs/ww/en/view/109813875>

Information- and Downloadcenter (Catalogs, Brochures,...)

<https://www.siemens.com/ic10>

Industry Mall (Online ordering system)

<https://mall.industry.siemens.com/mall/en/en/Catalog/product?mlfb=3RV1031-4DA10>

Cax online generator

<http://support.automation.siemens.com/WW/CAXorder/default.aspx?lang=en&mlfb=3RV1031-4DA10>

Service&Support (Manuals, Certificates, Characteristics, FAQs,...)

<https://support.industry.siemens.com/cs/ww/en/ps/3RV1031-4DA10>

Image database (product images, 2D dimension drawings, 3D models, device circuit diagrams, EPLAN macros, ...)

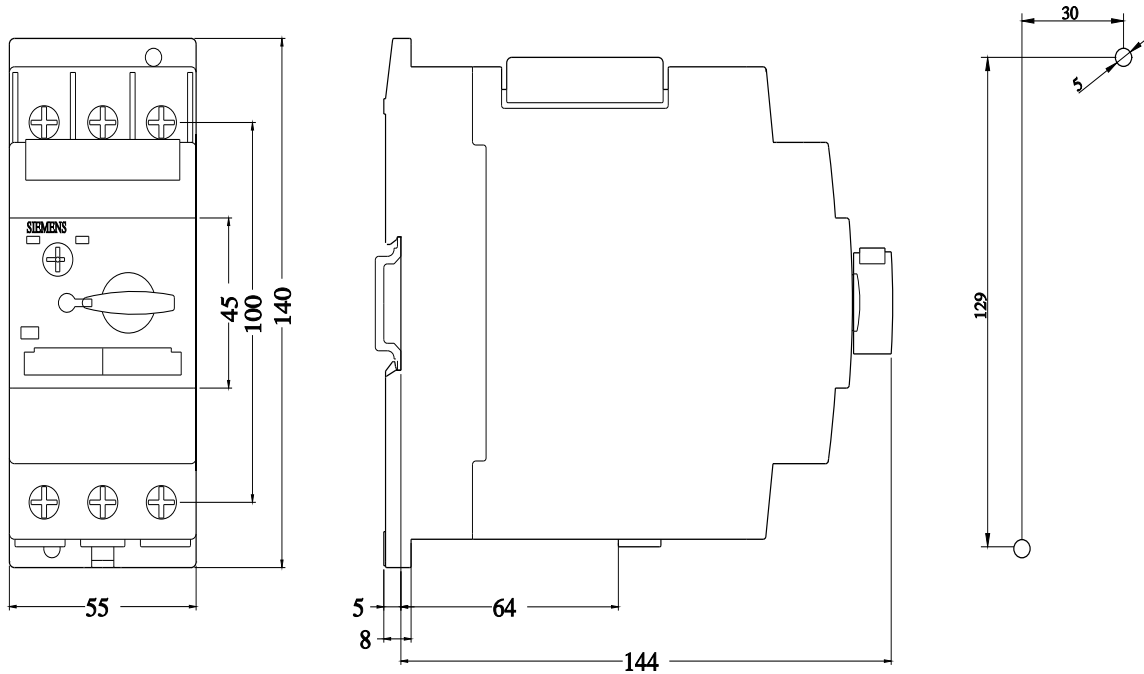
http://www.automation.siemens.com/bilddb/cax_de.aspx?mlfb=3RV1031-4DA10&lang=en

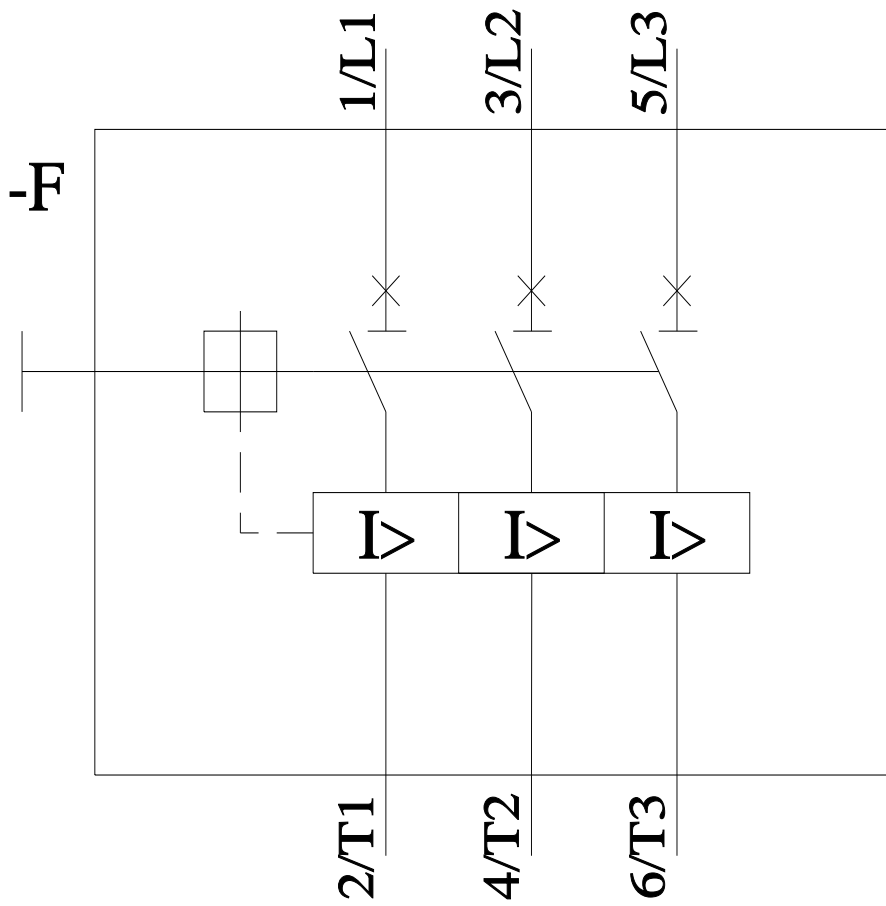
Characteristic: Tripping characteristics, I²t, Let-through current

<https://support.industry.siemens.com/cs/ww/en/ps/3RV1031-4DA10/char>

Further characteristics (e.g. electrical endurance, switching frequency)

<http://www.automation.siemens.com/bilddb/index.aspx?view=Search&mlfb=3RV1031-4DA10&objecttype=14&gridview=view1>





last modified:

11/21/2022 